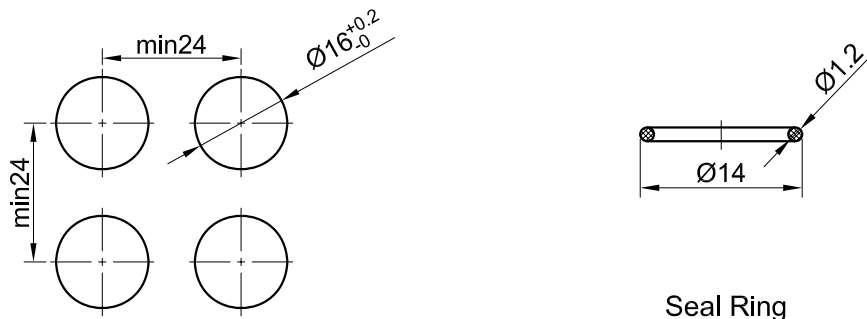
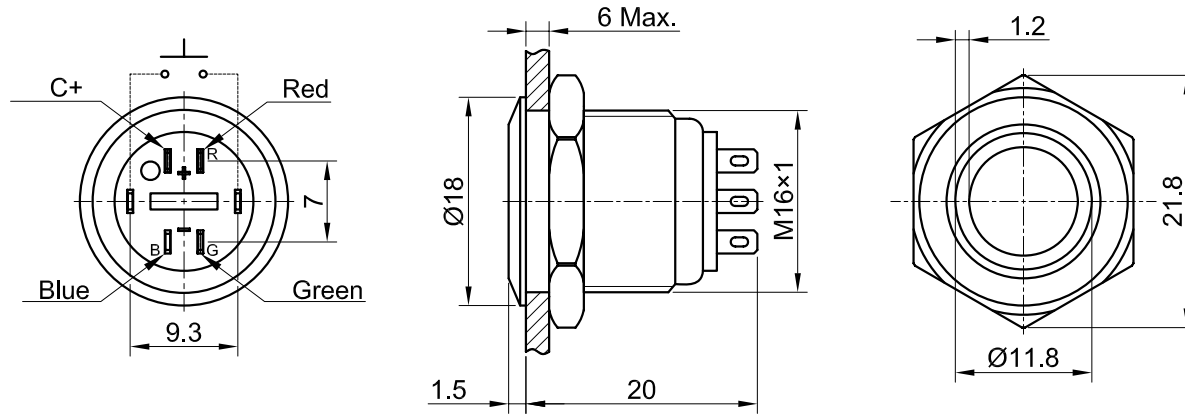


REV. 更改	DESCRIPTION 说明	ENG. 修改人	APPROVE 审核



PANEL CUTOUT
MAX.PANEL THICKNESS
6 mm

Seal Ring

SPECIFICATIONS:

- Rating: 2A 36VDC
0.5A 220V.
- Electrical Life: $\geq 200,000$ cycles.
- Contact Resistance: $\leq 50\text{m}\Omega$.
- Insulation Resistance: $\geq 1,000\text{M}\Omega$.
- Dielectric Strength: 2,000V RMS 50Hz.
- Operating Temperature: $-25^{\circ}\text{C} \sim +55^{\circ}\text{C}$ (No Freezing).
- Operating Force: About 4N.
- Torque: 0.6Nm max.applied to nut.
- Contact Configuration: 1NO.
- Operation Type: Momentary.
- The Front Shape : Flat Round.
- IP Class: IP65,IK08.
- Terminal Type: Pin Terminal(2 x 0.5mm).
- LED color:Red,Green,Blue.

MATERIALS:

- Contact: Silver alloy.
- Button: Stainless Steel.
- Body: Stainless Steel.
- Base: PBT.

Part Number: PM161-10E / J / 42RGB /12V/ S

		USED 用途		APPD 审核
		FINISH 处理		CHKD 校对
DIMENSIONS	TOLERANCE	SCALE 比例	UNIT 单位	DR. 制图
0.00 TO 30.00mm	$\pm 0.20\text{mm}$	1.5 / 1	mm	
30.01 TO 80.00mm	$\pm 0.25\text{mm}$			
80.01 TO 150.00mm	$\pm 0.30\text{mm}$			
150.01 ↑	$\pm 0.40\text{mm}$			
MATERIAL		TITLE 名称		DR. 制图
		Anti-vandal ring illuminated push button		
		DWG NO. 图号		SIZE 图纸
				A4
		FILE NAME 档案名称	SHEET 张	REV. 更改
			1 / 1	1