



eBOX

User Guide

Please read the user guide before use and keep it carefully.

Attention

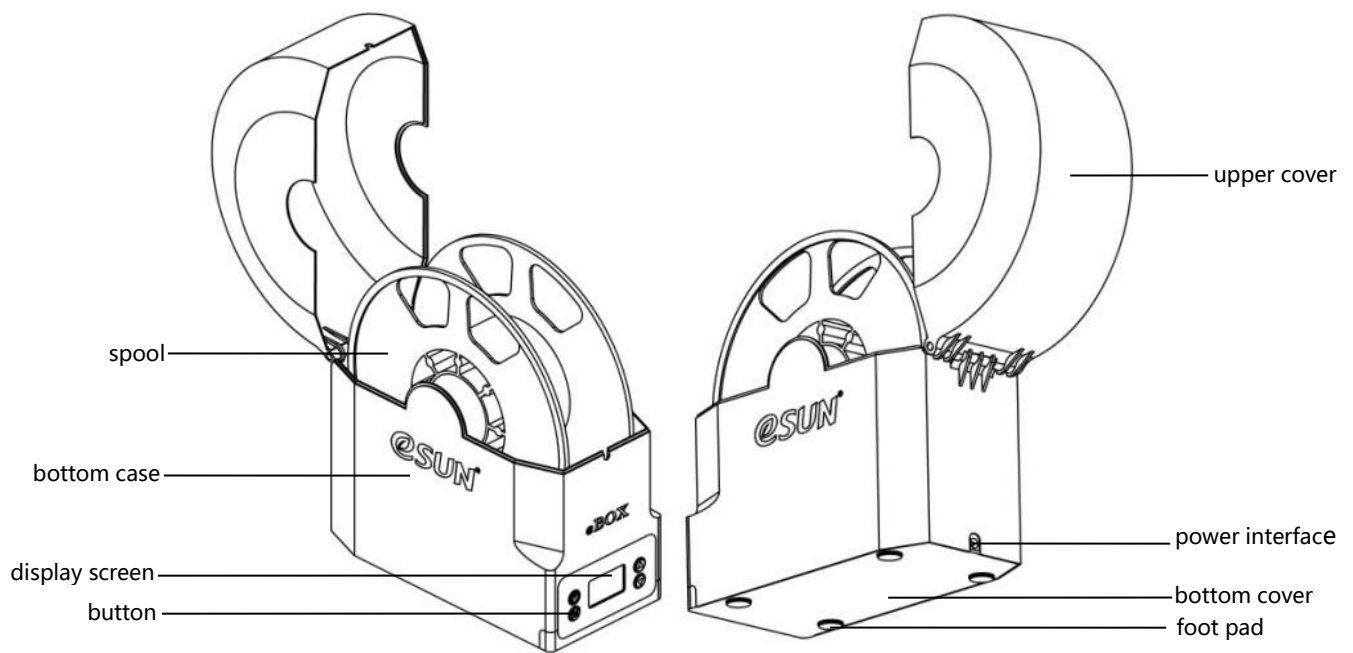
Please read this manual thoroughly before operate the machine and save it for some unexpected situation.

- Pull out the attaching plug, when the power line or socket is worn or damaged.
- Cut the power off when not use it.
- Keep it away from children.
- DO NOT let children operate it without supervision.
- DO NOT touch the bottom plate when dry filaments in case of burn.
- Turn off the machine when not use it.
- DO NOT use it in damp environment.
- Cut off the power and contact us immediately when something is wrong.
- DO NOT disassemble or repair it on your own.

Instruction

- This user guide is provided for the convenience of users. Pictures and descriptions may slightly vary from the actual product. The contents of this user guide can be changed without notice.
- We are not liable for any direct or indirect damage due to the user' s negligence.
- We will not take the responsibility to the damage caused by misoperation.
- Please read this manual thoroughly before use it.
- Please make sure the socket voltage matching with the product before use it.
- Please remove all packaging items on the product before using it for the first time.
- Put the product on a horizontal table for weighing accurately.

Product Name of Each Part



Product Specification Table

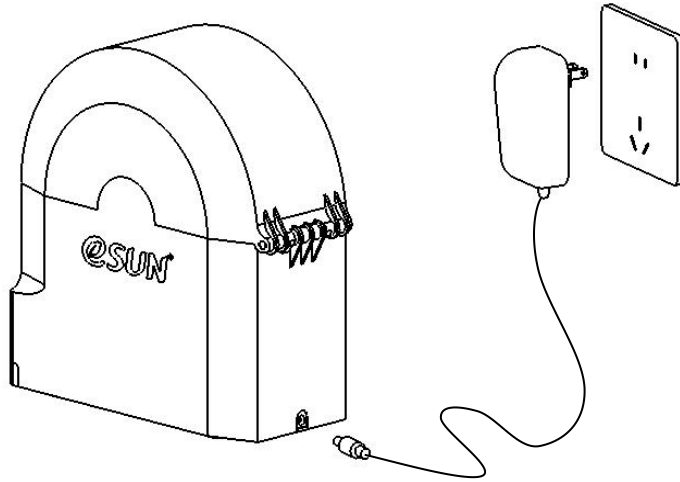
Package Size	249(L)×138(W)×272.5(H) mm
Product Size	215(L)×104(W)×238.5(H) mm
Max Capacity	Φ200×73(H) mm
Product Weight	750g
Rated Power	AC100-240V~50/60Hz
Power Output	DC12V~3A
Power of Heater	36W
Weighing Power	0.1W
Weighing Load	2KG
Weighing Error	±0.02KG
Filament Diameter	1.75mm/2.85mm/3mm


Certification System

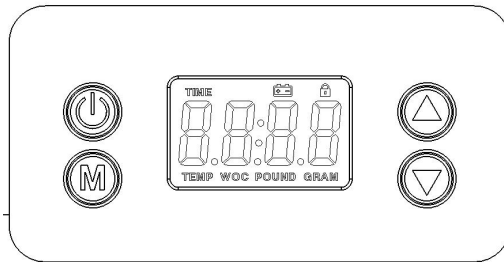


Method of Use

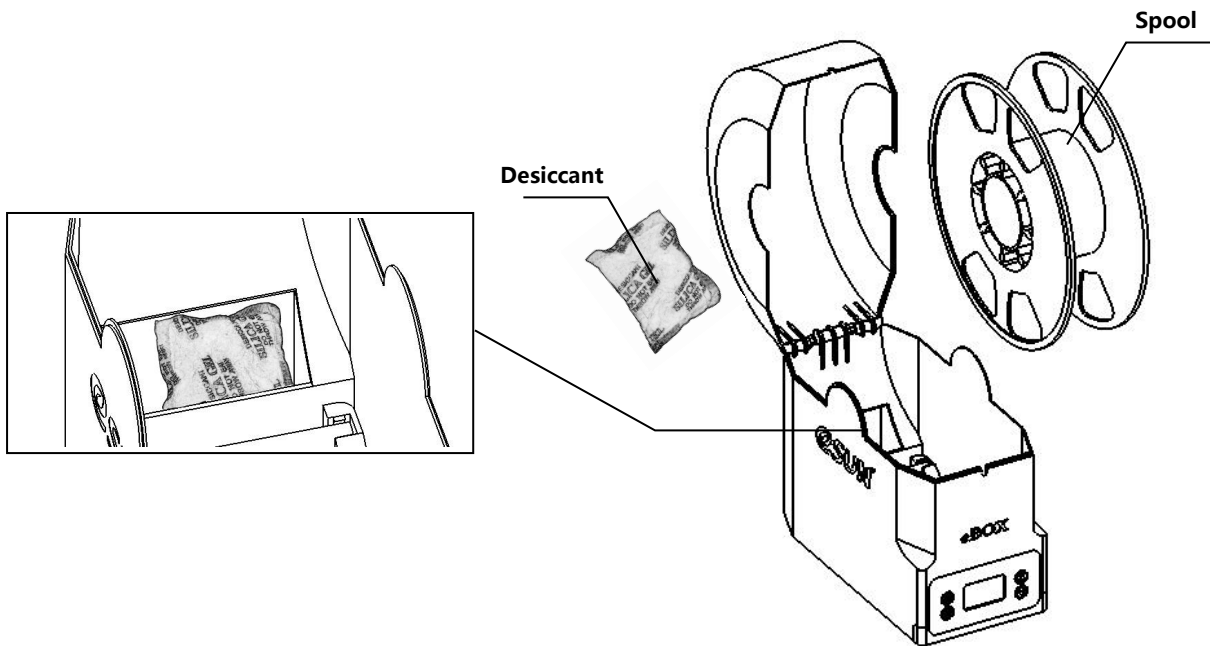
1. Plug the adapter into the AC100-240V ~ 50 / 60Hz power supply and plug the output terminal into the interface in the tail of eBOX.



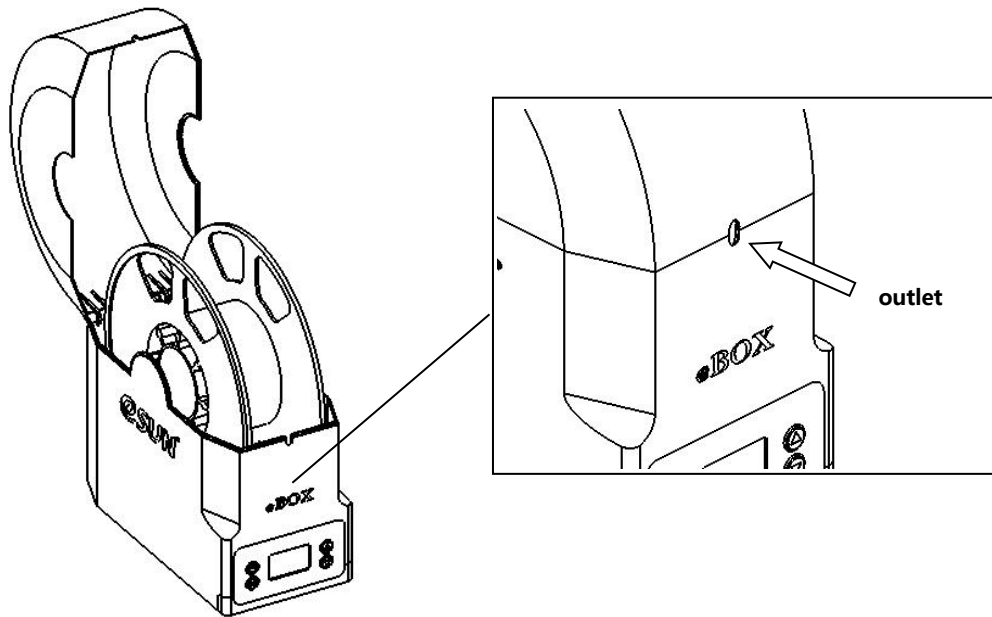
2. Press  button to start, the weight will be automatically cleared. Then enter the WOC mode to set the plate weight. More details, refer to "Weight Setting Mode"










3. Open the upper cover, put the desiccant into the empty slot in the rear of the box, then put the spool in.

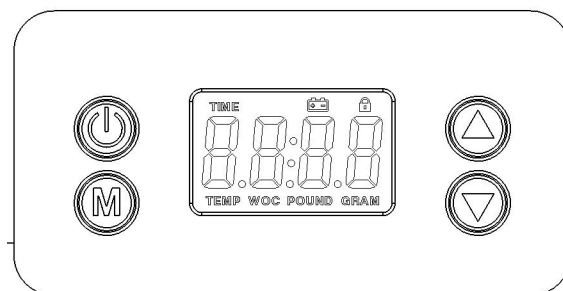


4. Put the spool in and pull the filament out through the outlet, close the cover. (The direction to pull filament can be bottom-up, or from top to bottom, depending on the position of printer)





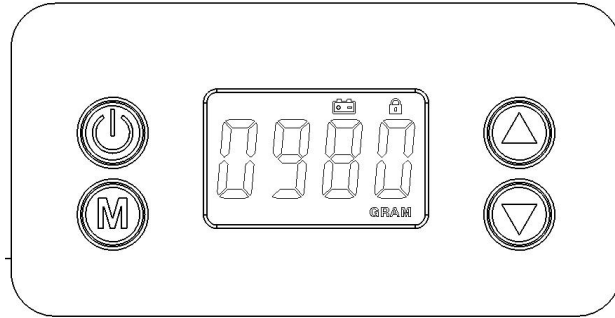
Parameter Setting

- The product has four buttons, the open button 、the function button 、the up button 、the down button .
- The product has five modes: Gram Mode **GRAM**, Pound Mode **POUND**, Weight Setting Mode **WOC**, Temperature Setting Mode **TEMP**, Heating Time Setting Mode **TIME**.
- Press  to switch modes and the   to change the parameters.
- The system will be in dormancy after no-operation for 5 seconds, the backlight disappears in dormant state, press any button to wake up, and then press button to set parameters or shut down.




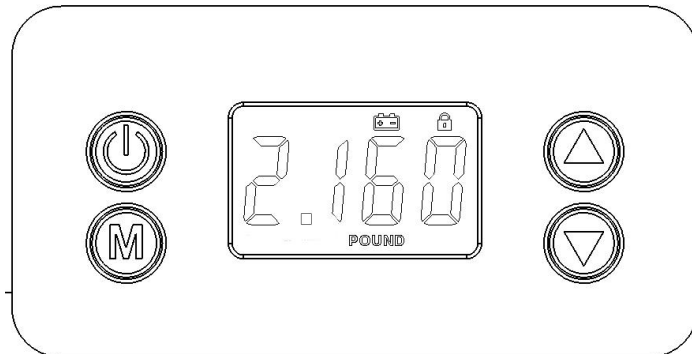
Gram Mode

- After switching on, the default mode is Gram Mode. You can press the button  or  to manually reset and calibrate.
- The screen displays the weight in Gram, the displayed number is the number subtracting total weight including the box from the empty tray weight, and the empty tray weight can be set in **WOC** mode. As shown below, the weight of rest filaments is 980g.







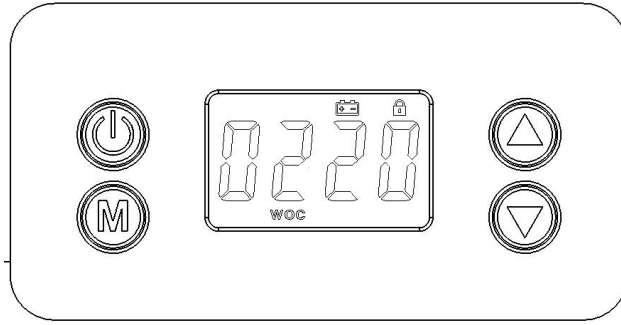
Pound Mode

- After turning on, press the mode button  once and switch to Pound Mode. The screen will display **POUND** and the displayed number is the weight of rest filaments. The unit is LB. As shown below, the rest weight of filaments is 2.160 pounds.



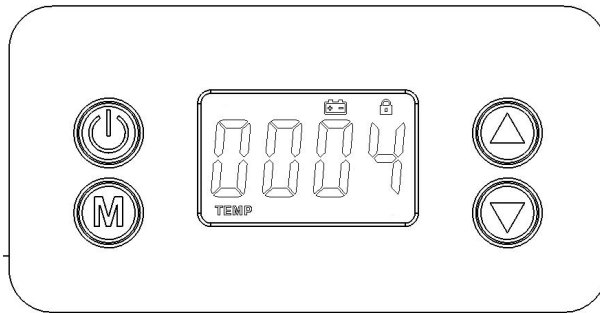
Weight Setting Mode

- Press the  button twice and switch to the Weight Setting Mode after power on, then the screen will display **WOC**, the displayed number is the setting weight of empty plate, the unit is Gram. As shown below the setting weight of empty plate is 220g.
- In **WOC** mode, press the up button  or the down button  to increase or decrease weight by 10 grams each time.
- Default weight of empty plate is 220g. The actual weight of empty plate you can consult filament manufacturers or acquire by the following method:
 1. Set the plate weight to 0 in **WOC** mode.
 2. Put the the empty plate into the box, press the mode button  to switch to **GRAM** mode, the number displayed on the screen is the empty plate weight.



Temperature Setting Mode

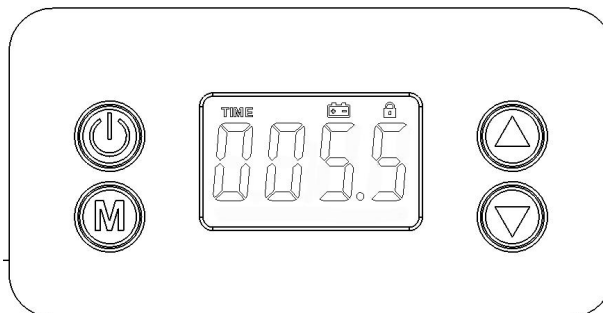
- Press the mode button **(M)** three times and switch to the Temperature Setting Mode. The screen will display **TEMP**, there are 4 levels in total, which can be adjusted by the up button **(▲)** or the down button **(▼)**. The bigger the number is, the higher the temperature will be. "0" means no heating. For more details of level setting, please refer to the table on page 7. As shown in the screen below, the heating temperature is set to the 4th level, which is the highest temperature.



- The higher the level, the higher the temperature inside the box, the lower the humidity inside the box.

Heating Time Setting Mode

- Press the button **(M)** four times and switching to the Heating Time Setting Mode. The screen will display **TIME**, and the displayed number is the rest heating time. The unit is Hour. As shown below, the rest heating time is 5 hours and 30 minutes.
- The displayed value in **TIME** mode decreases as time moves forward, which is similar to the countdown.
- In **TIME** mode, press the up button **(▲)** or the down button **(▼)** to increase or decrease time by half an hour.



Parameter Setting Suggestion

Level Set Reference Table

Type of filament	PLA/PLA+	ABS/ABS+	PETG	PVA	Nylon	PC
Level	1	2	2	3	4	4

Level Set for Temperature & Humidity Reference Table

Level	1	2	3	4
Hot plate TEMP	50°C	60°C	70°C	80°C
Inside TEMP	36°C	40°C	45°C	50°C
Inside humidity	30%	28%	24%	15%

Note: Above parameters in the table are testing under 20 °C of temperature and 62% of humidity in the room. The temperature and humidity in the box will slightly change due to different environments.

Spool Weight Reference Table

Spool description	eSUN transparent spool of 1kg	eSUN black spool of 1kg	eSUN transparent spool of 0.5kg	eSUN black spool of 0.5kg	Dupont transparent spool of 1kg
weight	220g	230g	203g	212g	360g

Note: The above weight is only the weight of some spools, the weight of other spool please consult the filaments distributor.

Other Notes

- The desiccant in the filaments package can be used to dry.
- Do not open the box in case of the loss of temperature when dry filaments.